

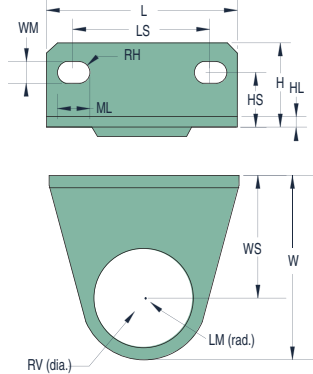
Mounting Hardware & Accessories

Replacement Mounting Hardware for Regulators & Stacked Filter-Regulators

Brackets are included with the purchase of these components.



| Regulator | Bracket Part No. |
|-----------------|------------------|
| MMR-1N/MMFRS-1N | MMH-B120 |
| MMR-2P/2Q | MMH-B220 |
| MMFRS-2P/2Q | MMH-B220 |
| MMR-3Q/3W | MMH-B320 |
| MMFRS-3Q/3W | MMH-B320 |
| MMR-4W/4Z/4A | MMH-B420 |
| MMFRS-4W/4Z/4A | MMH-B420 |
| MMR-5B | MMH-B420 |
| MMFRS-5B | MMH-B420 |



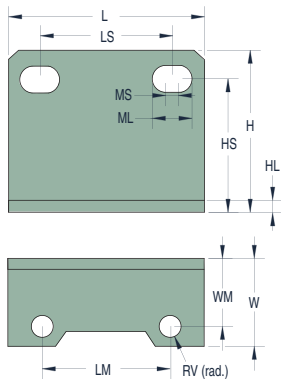
| Dim. | MMH-B120 | MMH-B220 | MMH-B320 | MMH-B420 |
|------|-------------|-------------|-------------|-------------|
| L | 1.57 (40.0) | 2.17 (55.0) | 2.09 (53.0) | 2.76 (70.0) |
| LS | 1.10 (28.0) | 1.34 (34.0) | 1.57 (40.0) | 2.13 (54.0) |
| H | 0.67 (17.0) | 1.38 (35.0) | 0.85 (21.5) | 1.06 (27.0) |
| HS | 0.43 (11.0) | 0.75 (19.0) | 0.55 (14.0) | 0.71 (18.0) |
| W | 1.49 (37.8) | 1.97 (50.0) | 2.52 (64.0) | 3.12 (79.2) |
| WS | 0.98 (25.0) | 1.18 (30.0) | 1.55 (39.0) | 1.94 (49.2) |
| RV | 0.81 (20.5) | 1.32 (33.5) | 1.67 (42.5) | 2.07 (52.5) |
| LM | 0.48 (12.3) | 0.79 (20.0) | 0.98 (25.0) | 1.18 (30.0) |
| ML | 0.26 (6.5) | 0.21 (5.4) | 0.26 (6.5) | 0.33 (8.5) |
| WM | 0.18 (4.5) | 0.21 (5.4) | 0.26 (6.5) | 0.33 (8.5) |
| RH | 0.09 (2.3) | 0.11 (2.7) | 0.13 (3.3) | 0.17 (4.3) |
| HL | 0.08 (2.0) | 0.09 (2.3) | 0.09 (2.3) | 0.09 (2.3) |



Mounting Hardware for Lubricators & Filters

No brackets are furnished with these components.

| Filter/Lubricator | Bracket Part No. |
|-------------------|------------------|
| MMF-2P | MMH-B240 |
| MML-2P | MMH-B240 |
| MMF-3 | MMH-B340 |
| MML-3 | MMH-B340 |
| MMF-4Z/4W | MMH-B440 |
| MML-4Z/4W | MMH-B440 |
| MMF-4A | MMH-B540 |
| MML-4A | MMH-B540 |
| MMF-5 | MMH-B640 |
| MML-5 | MMH-B640 |



| Dim. | MMH-B240 | MMH-B340 | MMH-B440 | MMH-B540 | MMH-B640 |
|------|-------------|-------------|-------------|-------------|-------------|
| L | 1.57 (40.0) | 2.09 (53.0) | 2.76 (70.0) | 2.76 (70.0) | 3.54 (90.0) |
| LS | 1.06 (27.0) | 1.57 (40.0) | 2.13 (54.0) | 2.13 (54.0) | 2.60 (66.0) |
| H | 1.30 (33.0) | 1.53 (39.0) | 1.85 (47.0) | 1.85 (47.0) | 2.52 (64.0) |
| HS | 1.06 (27.0) | 1.26 (32.0) | 1.50 (38.0) | 1.50 (38.0) | 2.05 (52.0) |
| W | 0.71 (18.0) | 0.89 (22.5) | 1.24 (31.5) | 1.24 (31.5) | 1.69 (43.0) |
| RV | 0.18 (4.5) | 0.18 (4.5) | 0.22 (5.5) | 0.22 (5.5) | 0.26 (6.5) |
| LM | 1.02 (26.0) | 1.38 (35.0) | 1.85 (47.0) | 1.85 (47.0) | 2.36 (60.0) |
| MS | 0.12 (3.0) | 0.06 (1.5) | 0.08 (2.0) | 0.08 (2.0) | 0.08 (2.0) |
| ML | 0.33 (8.4) | 0.32 (8.0) | 5.12 (13.0) | 5.12 (13.0) | 5.12 (13.0) |
| WM | 0.21 (5.4) | 0.26 (6.5) | 0.43 (11.0) | 0.43 (11.0) | 0.43 (11.0) |
| HL | 0.09 (2.3) | 0.09 (2.3) | 0.09 (2.3) | 0.09 (2.3) | 0.13 (3.2) |



Pressure Gauges

Available in three pressure ranges and three port sizes.

| Part No. | Gauge Diameter | Port | Range |
|------------|----------------|-----------|---------------|
| PG-10-30J | 1" | 1/16" NPT | 0 to 30 psig |
| PG-10-60J | 1" | 1/16" NPT | 0 to 60 psig |
| PG-10-160J | 1" | 1/16" NPT | 0 to 160 psig |
| PG-15-30P | 1.5" | 1/8" NPT | 0 to 30 psig |
| PG-15-60P | 1.5" | 1/8" NPT | 0 to 60 psig |
| PG-15-160P | 1.5" | 1/8" NPT | 0 to 160 psig |
| PG-20-30Q | 2" | 1/4" NPT | 0 to 30 psig |
| PG-20-60Q | 2" | 1/4" NPT | 0 to 60 psig |
| PG-20-160Q | 2" | 1/4" NPT | 0 to 160 psig |

Filter Elements

All Maximatic filters come standard with a 25 micron sintered brass filter element and baffle, however 5 micron filters are also available. Add "-F5" to the end of the filter Part Number for 5 micron. Replacement filters with baffles are also offered below.

| Filter Series | 5 micron | 25 micron |
|---------------|----------|-----------|
| MMF-1 | 27021 | 27050 |
| MMF-2 | 27022 | 27051 |
| MMF-3 | 27023 | 27052 |
| MMF-4 | 27024 | 27053 |
| MMF-5 | 27025 | 27054 |